



Self Storing Test Weight Assembly

FITS ANY WIDTH CONVEYOR

The Belt-Way Scale fits any width conveyor. And, the Belt-Way Self Storing Test Weight System fits any new or existing Belt-Way Scale!

Easy Installation

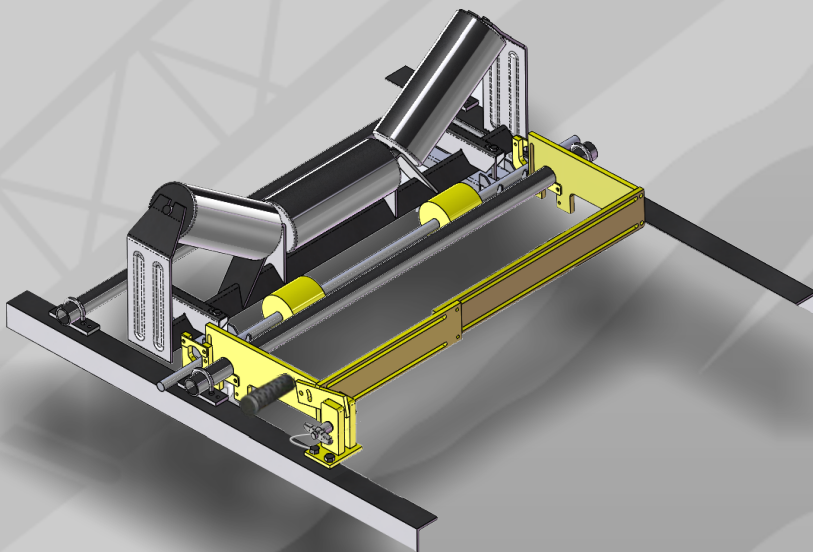
Installation is simple. No need to remove existing scales when mounting the new Self Storing Test Weight System.

Faster, Safer, Easier Calibration

Mount the weight release lever on either side of the conveyor. No need to access both sides of the scale to mount test weights. Weights are easily raised and lowered from the cradle position. Safety risks and increased downtime are eliminated.

Performance Verification

The Belt-Way test weight assembly is ideally suited for use with performance assessment features available on the new Belt-Way Integrator. Check calibration any time by simply lowering test weights onto the scale.



Order Your First Set Today!

Contact your Belt-Way Distributor or call us for information regarding the new Belt-Way Self-Storing Test Weight Kit. You'll never go back to standard test weights again.

Phone: (815) 625-5573

