

ENDURON®
Comminution Equipment

Excellent
Minerals
Solutions



Sieve Bends



Enduron® sieve bends have no moving parts and are designed to provide low maintenance and low initial costs



Enduron® sieve bends can be custom designed and manufactured to fit multiple applications. For dewatering applications, the sieve bend provides a quick inexpensive method of dewatering slurries. In oversize material removal, the sieve bend can remove tramp material or provide a scalping of coarse material.

Lining

Enduron® sieve bends can be lined with Linatex® premium rubber or other options as required for the application. Polyurethane and stainless steel sieve panels are also available.

Integral Part of our Process Equipment Range

Enduron® sieve bends are an integral part of process systems operating across many industries around the globe.

Global Support

Weir Minerals has a wide network of global professionals able to assist at every stage. Whether it is at the initial design stage, during commissioning, or after installation, you can be confident that a Weir Minerals professional is able to assist. We are also able to provide on-site and off-site maintenance training. We stock replacement parts in our numerous locations around the globe, and have field service crews readily available to help.

Sieve bend with a counter weight, feed spreader and Linatex® polyurethane screen media



Enduron® sieve bend with wedge wire



Enduron® sieve bend with manual adjust and Linatex® polyurethane screen media

Applications

- Dewatering — provides a quick inexpensive method of dewatering slurries
- Over size removal — removes tramp material or provides a scalping of coarse material

Specifications

Size of the unit is based off of total flow rate and matched against the two main factors (screen opening and arc length). Standard sieve bend sizes are 3', 4', 5' and 6' wide. Double sided units available for increased capacity.

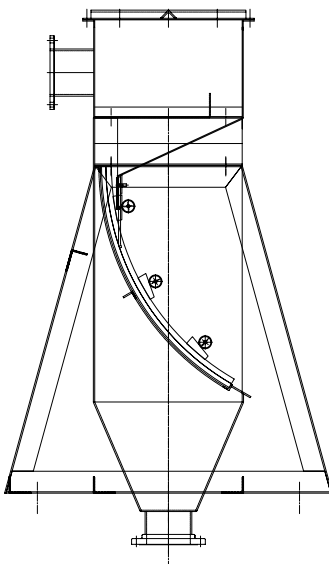
Available sieve arc lengths are 30", 40", 60" (standard), and 80".

Dewatering Capacity (gallons per minute per foot of width)

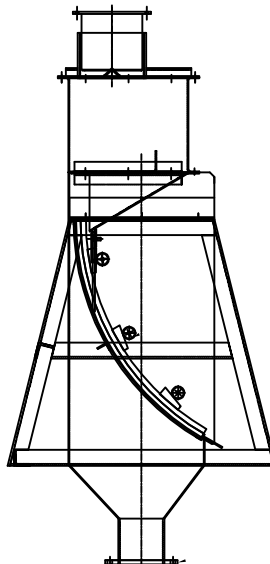
Opening** (mm)	Arc Length			
	30"	40"	60"	80"
2.50	140	160	187	197
2.00	135	154	18	190
1.50	110	126	147	155
1.00	140	160	187	197
0.75	110	126	147	155

**Openings larger than 2.5 mm are available but are not shown. Capacity is not significantly altered with openings larger than the 2.5 mm.
Note: Polyurethane panels may require one size larger in order to provide the same performance as a wedge wire sieve panel.

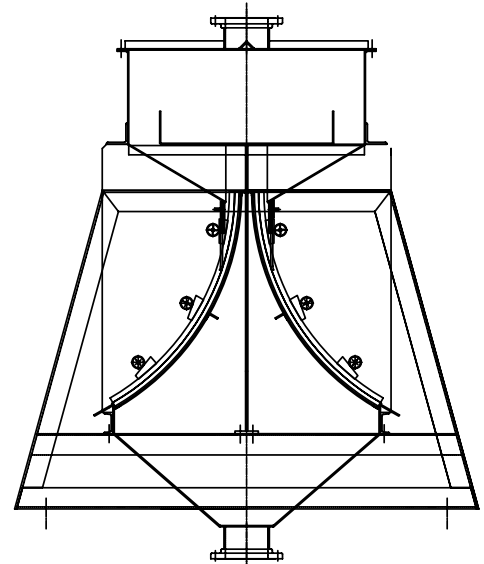
Enduron Sieve Bend Feed Options



Single – back feed



Single – top feed



Dual – top feed



WARMAN®

Centrifugal Slurry Pumps

GEHO®

PD Slurry Pumps

LINATEX®

Rubber Products

VULCO®

Wear Resistant Linings

CAVEX®

Hydrocyclones

ENDURON®

Comminution Equipment

KHD*

High Pressure Grinding Rolls

FLOWAY® PUMPS

Vertical Turbine Pumps

ISOGATE®

Slurry Valves

MULTIFLO®

Mine Dewatering Solutions

HAZLETON®

Specialty Slurry Pumps

LEWIS® PUMPS

Vertical Chemical Pumps

**WEIR MINERALS
SERVICES™**



For further information on any of these products or our support services contact your nearest sales office or visit:

www.weirminerals.com



Weir Minerals Division

1550 Airport Road
Gallatin, TN 37066
USA

Tel: +01 615 230 2100
Fax: +01 615 230 2101
www.weirminerals.com



Excellent
Minerals
Solutions



Copyright © 2014, Weir Slurry Group, Inc.. All rights reserved. WARMAN is a trademark and/or registered trademark of Weir Minerals Australia Ltd and Weir Group African IP Ltd; CAVEX, HAZLETON, MULTIFLO are trademarks and/or registered trademarks of Weir Minerals Australia Ltd; LEWIS and LEWIS PUMPS are trademark and/or registered trademarks of Envirotech Pumpsystems Inc; GEHO is a trademark and/or registered trademark of Weir Minerals Netherlands bv; FLOWAY is a trademark and/or registered trademark of Weir Floway Inc.; VULCO is a trademark and/or registered trademark of Vulco SA; ISOGATE is a trademark and/or registered trademark of Weir do Brasil Ltda.; LINATEX is a trademark and/or registered trademark of Linatex Ltd; ENDURON, MATERIAL MATTERS and M2 Material Matters (logo) are trademarks and/or registered trademarks of Weir Minerals Europe Ltd; WEIR is a trademark and/or registered trademark of Weir Engineering Services Ltd.

* KHD is a Humboldt Wedag GmbH brand used under license by The Weir Group.