

MP OB Series

Isogate® MP OB series open body mechanical pinch valve is specifically designed for tough, abrasive and corrosive applications.



A cost effective valve designed for today's slurry applications.

The Isogate® MP OB series open body mechanical pinch valve is designed to provide reliable service in tough abrasive and corrosive slurry applications. The Isogate MP OB series' design provides reliable service together with ease of maintenance and cost effectiveness in a lightweight, compact package.

Using Linatex premium elastomers, the Isogate MP OB series valve combines a low maintenance design with a wide range of available materials, making the valve suitable for a variety of applications.



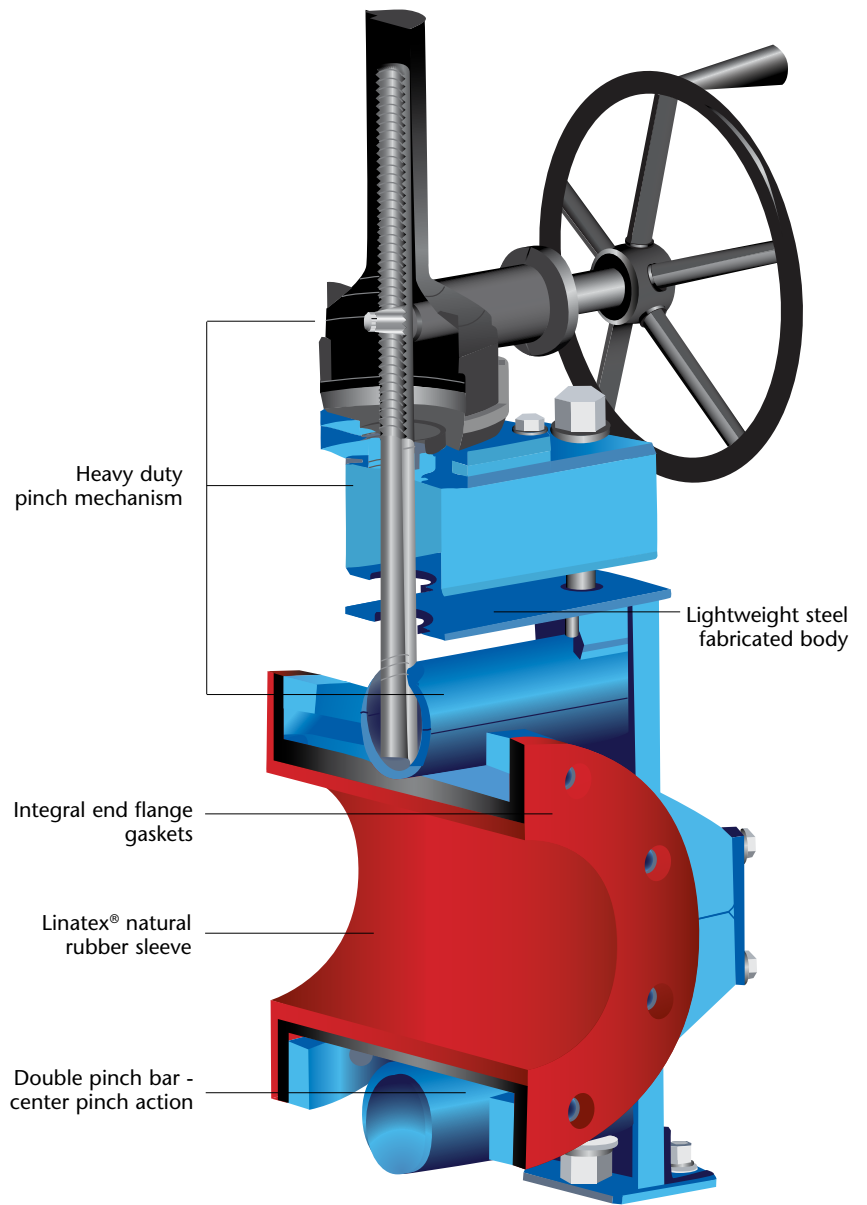
A lightweight, compact package together with easily replaceable sleeves, and an open body design provide ease of maintenance and low total cost of ownership.

Design benefits

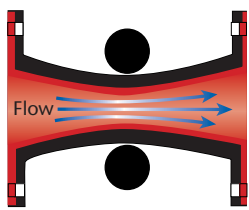
- Linatex® premium rubber is the standard sleeve material
- Lightweight, heavy duty structural steel open body make installation and maintenance easy
- Heavy duty pinch mechanism requires low input force for smooth hand wheel operation at maximum working pressures
- Center pinch operation and flexible pinch sleeve construction ensure accurate flow control and long sleeve life
- Sleeves are easily replaced
- Sleeves include integral end flange gaskets to ensure leak tight installation into process piping
- Full port design reduces pressure drop and down stream turbulence
- Bi-directional shut off
- Sleeves are available in a variety of materials to handle abrasive and chemical applications

Isogate® Series MP OB

The Isogate® MP OB series open body mechanical pinch valve is for positive control of abrasive and corrosive flowing media



Flow pattern through double pinch mechanical pinch valve in throttling position



- Throttled flow
- Uniform flow pattern
- Minimum turbulence

The Isogate® MP OB slurry mechanical pinch valve is suitable for a wide range of applications.

Size range

Available in sizes 1/2" up to 24"

Maximum working pressures

Sizes 1/2" through 6": 150 psi

Size 8": 125 psi

Sizes 10" and 12": 100 psi

Size 14": 75 psi

Sizes 16" through 24": 50 psi

Materials

Body: Fabricated steel

Sleeves: Linatex® premium rubber as standard. EPDM, and other materials are also available

Actuators

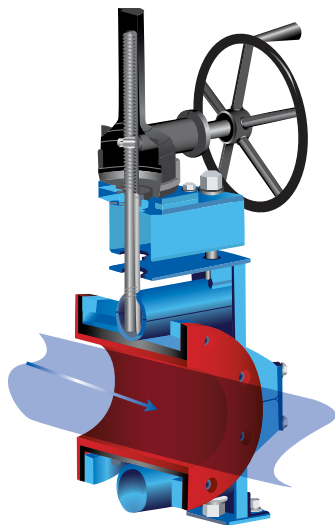
- Hand wheel
- Bevel gear
- Air cylinder
- Hydraulic cylinder
- Electric motor

Applications

- Mining
- Power utilities
- Pulp and paper
- General industrial
- Chemical
- Sand and gravel
- Coal
- Phosphate
- Soda ash
- Alumina
- Mineral sands



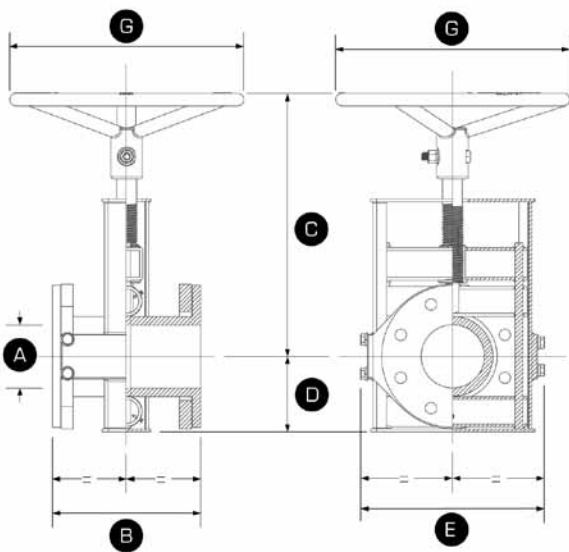
Full flow Linatex® elastomer sleeves



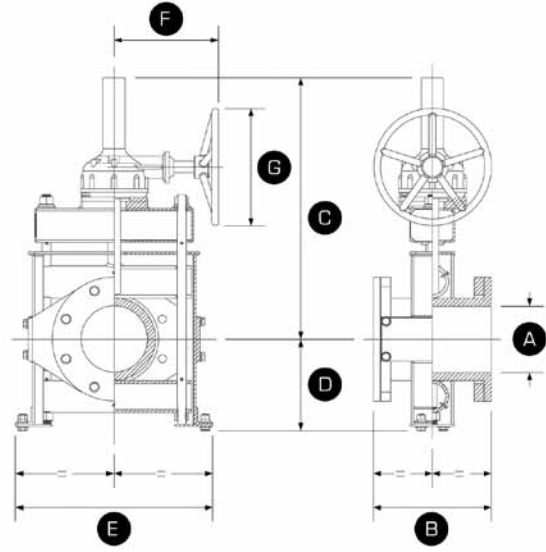
The Isogate® MP OB series mechanical pinch valve features a full port sleeve made from one of many premium Linatex® elastomers providing full flow of process medium with minimum downstream turbulence.

Isogate® Series MP OB

Size A	Length B	Height C max	Drop D	Width E	Offset F	Dia G	Max. WP	Weight
inches/mm	inches/mm	inches/mm	inches/mm	inches/mm	inches/mm	inches/mm	psi/kPa	lbs/kg
.50 / 15	5.38 / 137	8 / 204	2 / 52	4.75 / 120	N/A / N/A	6 / 165	150 / 1035	11 / 5
.75 / 20	5.38 / 137	8 / 204	2 / 52	4.75 / 120	N/A / N/A	6 / 165	150 / 1035	11 / 5
1 / 25	5.38 / 137	8 / 204	2.13 / 57	4.75 / 120	N/A / N/A	6 / 165	150 / 1035	11 / 5
1.25 / 32	6.38 / 162	9.13 / 233	2.75 / 68	6.63 / 170	N/A / N/A	6 / 165	150 / 1035	18 / 8
1.50 / 40	6.38 / 162	9.13 / 233	2.88 / 73	6.63 / 170	N/A / N/A	6 / 165	150 / 1035	18 / 8
2 / 50	6.88 / 175	10.38 / 265	3.13 / 80	7.38 / 187	N/A / N/A	6 / 165	150 / 1035	20 / 9
2.50 / 65	7.38 / 188	13.75 / 349	3.75 / 95	8.63 / 220	N/A / N/A	9 / 220	150 / 1035	33 / 15
3 / 80	7.88 / 200	14.50 / 354	4 / 105	10 / 255	N/A / N/A	9 / 220	150 / 1035	44 / 20
4 / 100	9.13 / 232	17 / 430	4.75 / 120	11.5 / 290	N/A / N/A	15 / 370	150 / 1035	57 / 26
5 / 125	10.13 / 257	19.50 / 494	6.75 / 170	14.38 / 365	N/A / N/A	25 / 625	150 / 1035	73 / 33
6 / 150	10.13 / 264	27 / 685	8.13 / 207	17.50 / 445	9.25 / 236	10 / 250	150 / 1035	132 / 60
8 / 200	15.88 / 402	38.75 / 985	10.25 / 259	22.50 / 570	11.88 / 302	12 / 300	125 / 865	224 / 102
10 / 250	20 / 510	41.75 / 1060	12.75 / 322	25.88 / 657	14.25 / 362	12 / 300	100 / 700	295 / 134
12 / 300	23.88 / 606	45.88 / 1165	13.75 / 347	30.25 / 768	16 / 406	16 / 400	100 / 700	409 / 186
14 / 350	27.88 / 707	50.63 / 1286	17.25 / 440	36.63 / 930	20.25 / 513	16 / 400	75 / 520	524 / 238
16 / 400	31.88 / 809	53.63 / 1363	18.50 / 470	40.13 / 1020	22 / 559	16 / 400	50 / 350	612 / 278
18 / 450	35.88 / 910	58.38 / 1482	21 / 535	44.50 / 1130	24.25 / 617	20 / 500	50 / 350	781 / 355
20 / 500	39.75 / 1011	64 / 1623	23.63 / 600	49.50 / 1260	26 / 659	20 / 500	50 / 350	946 / 430
24 / 600	47.75 / 1214	68.63 / 1743	25.75 / 655	56.13 / 1425	29.13 / 740	25 / 630	50 / 350	1313 / 597



Sizes 1/2" - 4"



Sizes 6" - 24"

Weir Minerals North America



DIAMOND
diamondequip.com



Excellent
Minerals
Solutions

