



## TRIO CT SERIES JAW CRUSHERS

Efficient Crushing Solutions

TRIO offers World Class Design, Engineering and Manufacturing to provide high value solutions for your crushing, screening and material handling requirements.

The core goal of TRIO Engineered Products, Inc. is to pursue product improvement, product quality, and provide our customers with the most cost-effective equipment solutions.

## TRIO - Building Solutions Together

CT1030

CT1040

CT1048

CT1252

CT2036

CT2436

CT3042

NCT3042

CT3254

CT3254B

CT3648

CT4254

CT4763

CT6080



TRIO continues to expand as a world-class designer & manufacturer of crushers, screens, washers, and conveyors for the aggregate, mining, recycling, and industrial minerals industries.

TRIO strives to provide the most rugged, robust, and reliable equipment for the most demanding applications. TRIO provides customized high value solutions according to our customers' needs, from single machines to stationary or portable plants, including turnkey projects.



## TRIO: Creates Value for You

The CT Series Jaw Crushers are a combination of quality, reliability, and performance, providing an extra long service life while operating in the most demanding applications and extreme conditions.

TRIO Jaw Crushers provide outstanding performance in primary crushing applications and can be widely applied in the mining, concrete and asphalt recycling, and aggregate industry settings.

TRIO Jaws can be installed as single machines, or combined with a full product line of TRIO crushers and screens to provide total solutions for portable and modular plants.



### Features of CT series

- Operates in the most demanding environments
- Ideal for open pit and underground primary applications
- Rugged, Robust, and Reliable
- Capable of high reduction ratios in high production applications
- Easy transport and installation
- Hydraulic CSS adjustment
- Easy to operate and maintain



## Rugged Reliable Design

CT series jaw crushers are heavier in class than other jaw crushers on the market. The extra weight leads to improvement of their mechanical capabilities. An updated frame design ensures the quality and lifecycle of the machine and provides increased wear parts life.

TRIO's steep nip angle provides a more aggressive bite at the jaw crusher opening. The optimized rotating speed and flywheel mass, along with an optimized toggle and nip angle help to reduce the machine resonance, which allows the jaw to run smooth and steadily, improving the lifecycle of mechanical & hydraulic parts.

### CT3042 - CT6080

The CT series uses high strength, low carbon alloy steel cast front and rear frames, with doweled and bolted side frames to ensure the rigidity of the machine.

The bolted main frame significantly increases the machine's loading capability. The non-welded design eliminates residual strains providing longer service life.



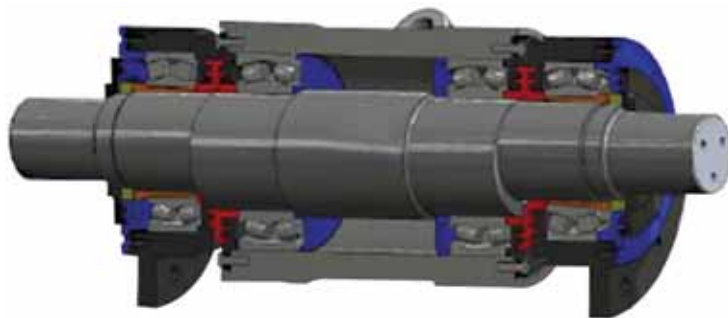
The modular design provides extra value by reducing transportation and installation cost for underground mining applications.

### CT1030 - CT3254

The low carbon steel welded frame with rib-reinforced side plates is thermally stress relieved to provide an extra heavy duty rigid main frame.



HIGHGER processing capacity



TRIO Pitman Shafts are forged high strength steel, fully CNC machined and precision ground at the bearing journals. The large frame and pitman self-aligning spherical roller bearings are closely spaced for maximum strength and extended service life.

The main frame bearings with withdrawal sleeves and pitman bearings in a cartridge assembly provide easy servicing. Double labyrinth grease seals insure protection from outside contamination.

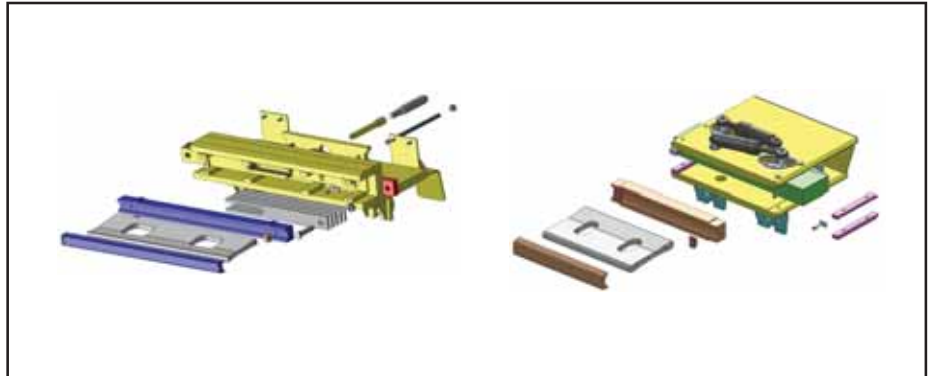


A conveniently located grease manifold allows easy access lubrication



## Safe and Reliable

TRIO's advanced manufacturing technology stringent quantity control and materials management systems, is of the highest level from raw material sourcing to finished machine delivery.



### 1. (FEA)

Finite element analysis guarantees proper design of all major components under the most demanding operating conditions.

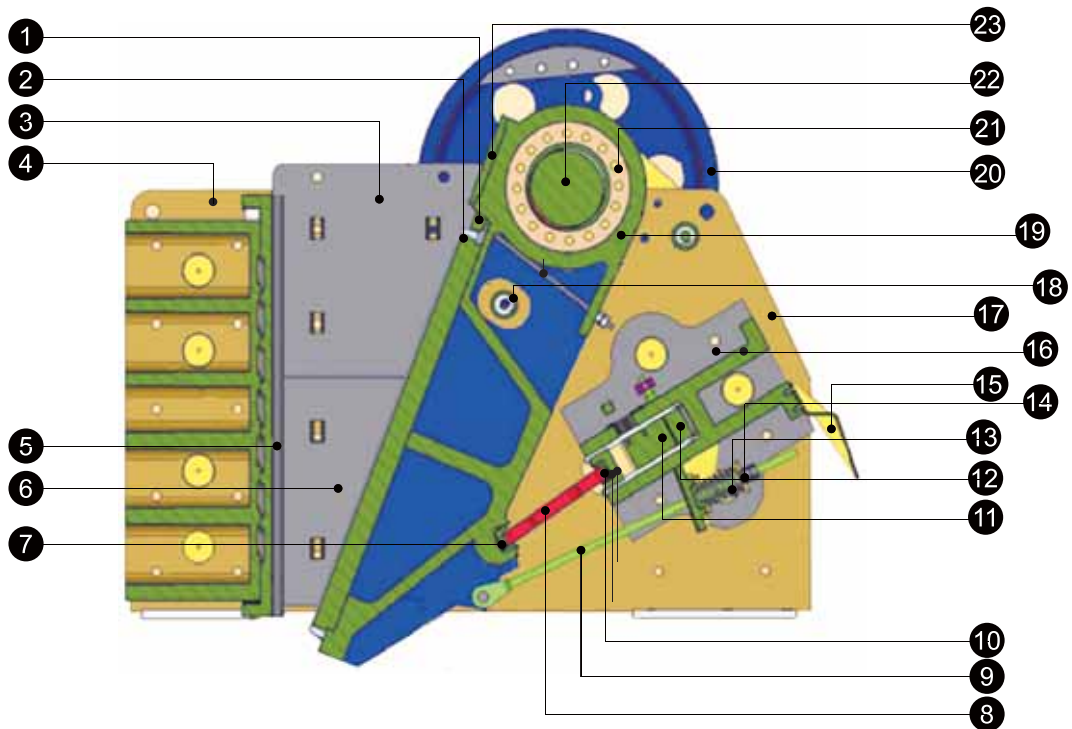
### 2. CT1030 to CT1052

Discharge Setting Adjustment is hydraulic cylinder assisted with manual shims, making the setting adjustment safe and easy.

### 3. CT2036-CT6080

Hydraulically adjusted dual wedge system allows quick, easy, and safe adjustments to the crusher discharge setting when a change is necessary to compensate for die wear or making different products.





- |                      |                        |                          |
|----------------------|------------------------|--------------------------|
| 1 Jaw die wedge      | 9 Tension rod          | 17 Main frame side plate |
| 2 Movable jaw die    | 10 Upper Toggle seat   | 18 Reinforcing Bolt      |
| 3 Upper cheek plate  | 11 Adjustment wedge    | 19 Pitman assembly       |
| 4 Mainframe assembly | 12 Adjustment wedge    | 20 Flywheel              |
| 5 Stationary jaw die | 13 Tension spring      | 21 Bearing Assembly      |
| 6 Lower cheek plate  | 14 Adjustment bolt     | 22 Eccentric shaft       |
| 7 Lower Toggle seat  | 15 Guard plate         | 23 Pitman guard plate    |
| 8 Toggle Plate       | 16 Rear frame assembly |                          |

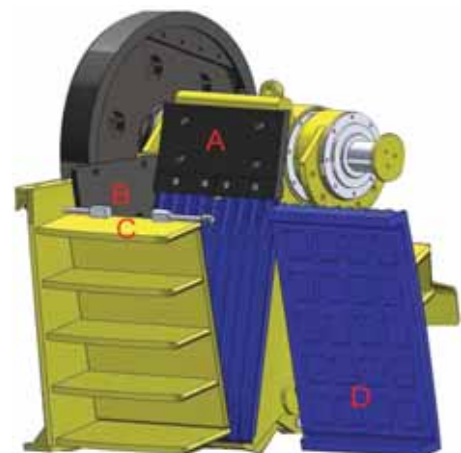
## TRIO ELECTRICAL CAPABILITIES

With Customer specifications: TRIO can provide electric controls for high voltage (6KV, 10KV), low voltage, and special applications. TRIO has a complete electrical facility using the world's leading brands to build Containerized Electrical Control Centers for individual machines or complete TRIO turnkey crushing systems

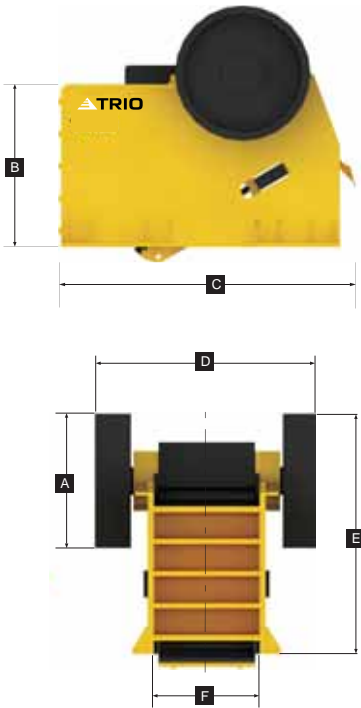


## RAPID PARTS & SERVICE

- TRIO provides special tools for easy maintenance
- Wear parts seating surfaces are machined to insure correct and easy fit
- An advanced cheek plate bolt system
- Easy access threaded side tensioning wedges for stationary jaw dies
- Reversible jaw dies provide extended wear life
- Fixed jaw dies incorporate a wrap-around design, protecting the frame and eliminate the need for additional wedges







Model	A	B	C	D	E	F
	MM	MM	MM	MM	MM	MM
CT1030	995	770	1,912	1,685	1,331	835
CT1040	1,000	770	2,964	1,995	1,325	1,085
CT1048	1,000	770	1,984	2,307	1,325	1,285
CT1252	1,000	850	2,128	2,443	1,403	1,325
CT2036	1,183	1,258	2,280	1,890	1,950	990
CT2436	1,515	1,550	2,596	1,867	2,408	990
CT2645	1,130	1,605	2,293	2,300	2,015	1,194
CT3042	1,660	1,895	3,073	2,237	2,775	1,155
NCT3042	1,200	1,637	2,512	2,246	2,160	1,130
CT3254	1,600	1,705	2,865	2,703	2,525	1,436
CT3648	1,700	2,065	3,753	2,779	3,053	1,310
CT4254	1,700	2,264	4,029	2,999	3,119	1,482
CT4763	2,000	2,715	4,871	3,580	3,725	1,730
CT6080	2,600	3,132	6,359	3,922	4,532	2,150

\* Data for marketing purposes subject to change with product upgrades



### CT SERIES SPECIFICATIONS

MODEL	SIZE	WEIGHT	CSS	CAPACITY	SPEED	POWER	MATERIAL
	MM	KG	MM	MTPH	RPM	KW	MM
CT1030	280x750	6,000	25 - 90	21 - 55	300	30	210
CT1040	280x1,000	6,872	25 - 90	27 - 72	300	37	210
CT1048	280x1,200	8,391	25 - 90	32 - 86	300	55	210
CT1252	340x1,300	10,800	25 - 90	50 - 135	300	75 - 55	250
CT2036	650x900	11,700	50 - 125	80 - 220	250	55	400
CT2436	650x900	14,800	75 - 200	120 - 350	250	75	550
CT2645	660x1,150	18,000	80 - 200	175 - 500	300	90	550
CT3042	750x1,060	24,900	75 - 200	150 - 500	250	110	630
NCT3042	750x1,060	20,321	75 - 200	150 - 500	250	110	630
CT3254	800x1,370	29,800	75 - 200	240 - 780	250	132	650
CT3254B	800x1,370	28,930	75 - 200	240 - 780	250	132	650
CT3648	910x1,200	44,066	100 - 250	300 - 850	225	160	750
CT4254	1,060x1,370	57,390	100 - 275	400 - 1100	220	200	900
CT4763	1,250x1,600	80,167	150 - 300	520 - 1250	200	250	1,000
CT6080	1,510x2,000	148,000	150 - 310	750 - 1600	200	400	1,350



\* Results may vary depending on feed material gradation, density, moisture content, friability, application and crusher settings.

TRIO Jaw Crushers are available in portable wheeled and track configurations. Customization for special applications is available.

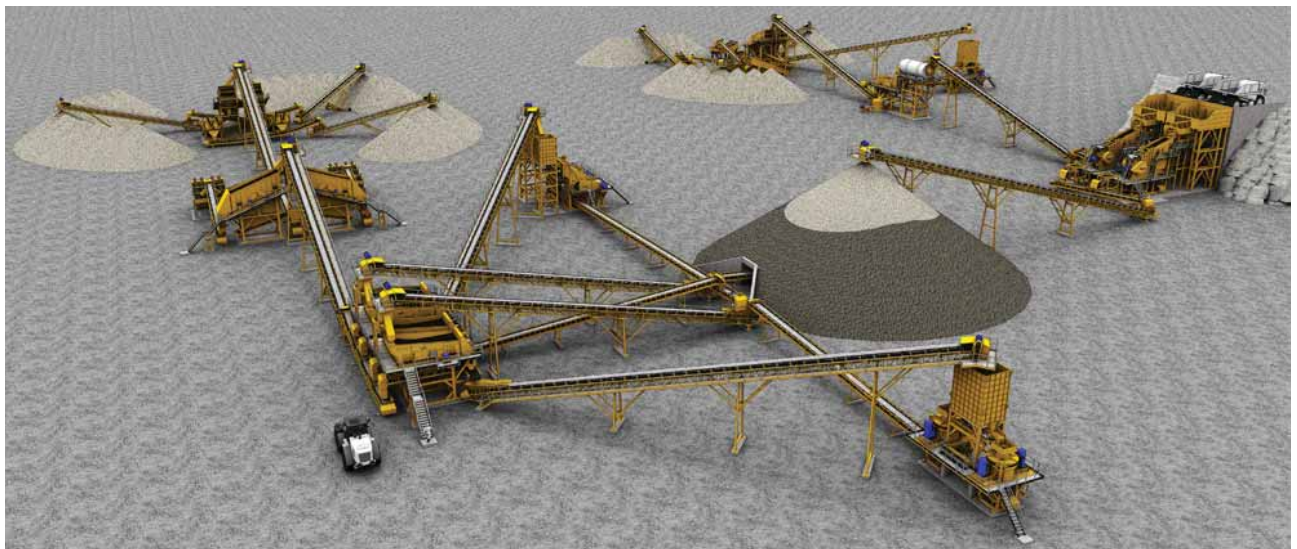
MODEL	25mm	38mm	50mm	64mm	76mm	90mm	100mm	127mm	150mm	175mm	200mm	225mm	250mm	280mm	305mm
CT1030	23	28	34	42	50	60									
CT1040	30	37	45	56	66	79									
CT1048	35	44	55	68	80	95									
CT1252	50	63	77	90	105	130									
CT2036			90	110	140	170	190	230							
CT2436				150	170	190	210	250	250-300	320-400					
CT2645			96	126	155	189	218	300	391	522					
CT3042					200	230	260	300	300-400	350-460					
NCT3042						220	240	280	320	320-420	380-500				
CT3254			250	300	340	370	400	440	400-500	470-570					
CT3648							350	310-400	370-470	430-540	490-610	550-700			
CT4254								380-500	450-580	520-650	575-730	630-810	700-900		
CT4763									500-650	590-750	650-840	740-930	800-1010	880-1100	950-1180
CT6080										675-980	780-1100	860-1215	950-1212	1030-1455	1120-1575

\* Data for marketing purposes subject to change with product upgrades

### COMPREHENSIVE SOLUTIONS

TRIO can provide not only key single machines, but also complete crushing, screening, washing, and material conveying solutions. We take your investment scale, working environment, capacity and product gradation requirements into consideration to provide a customized solution. Our optimized solutions include machine model selection, operating simulation, and on-site layout.

TRIO's outstanding design, engineering and manufacturing capabilities; together with complete after-sales service will ensure the successful implementation of your project; creating value to help you achieve your profit objectives.



### GLOBAL SERVICE & SUPPORT

From Europe to mid-Asia, Africa to America, China to Australia, in every corner of the world, no matter what you order (a complete system, single machine, or a spare part) TRIO will provide you with professional service and support.

Combined with, off-the-shelf availability, Global distribution for rapid delivery and Superior quality, TRIO replacement parts, and skilled service support personnel make TRIO a valued partner in the global mining and aggregate industries

All TRIO products are assembled and test run in our factory to ensure a fast and efficient installation, creating extra value for you. We also provide professional training for maintenance and operations personnel to insure smooth and efficient plant operations along with safe and easy maintenance.

TRIO CT Series jaw crushers are rugged, reliable, high performance crushers, and your best choice.







### Crushers

CT Series Jaw Crusher  
TC Series Cone Crusher  
APS& APP Series Impact  
Crusher  
TV Series VSI Crusher

### Screens

TIH, TIO&TIOSP Series  
Inclined Screen  
TTH Series Horizontal  
Screen  
TBSS& TBSD Series Banana  
Screen

### Portable Plants

Track mounted portable  
plants  
Wheel mounted portable  
plants

### Plant Solutions

'Turn-key' projects

### TRIO - US

Corporate Office  
12823 Schabarum Ave.  
Irwindale, CA 91706  
United States  
Tel +1 626 851 3966  
Fax +1 626 851 9526  
productinfo@trioproducts.com



[www.trioproducts.com](http://www.trioproducts.com)