

# MASABA



\*Shown with optional Genset\*

[www.masabainc.com](http://www.masabainc.com)

## Portable Truck Unloader

### Portable 72" Low Profile Truck Unloader

#### Main Frame and Chassis

- Tandem Axle
- Heavy Duty Steel Tubing Frame
- (8) 11R x 22.5 radial tires
- Brakes
- Lights
- Mudflaps
- Crank Down Landing Jacks

#### Load Area

- 10' x 7' Heavy Duty Flat Bar Grate
- Self Cleaning Hydraulic Ramps
- 10' x 8' Ramp Bulkhead
  - Heavy Duty Hinges
  - Folds For Road Transport

#### 72" Discharge Conveyor

- Hydraulic Raise and Lower
  - **13'** Max Discharge Height
- Dual Head Drive
- **(2) 40 hp 1800 rpm Motors**
- Capacity: **1,500 tph**
  - based on 100 lbs per cu/ft material
  - 1.5 minus
- Belt Speed: **260 fpm**
- 3 Ply Belting with Vulcanized Splice
- Adjustable Flow Control Slide Gate
- Discharge Hood with AR Liners
- Belt Scraper

#### Features

- (1) Coat 2 part Urethane Paint
- (1) Coat 2 part Urethane Primer
- Steel Shot Blasted
- Appropriate Guarding
- Wireless Remote
- (2) Owner's manual for start-up and maintenance

#### Options

- Switchgear
  - NEMA 4 Enclosure
- Hydraulic Jacks
- Intraflo Autolube System
- Continuous Cycling Hot Climate Hydraulic Protection
- Genset
- Grate Sizes

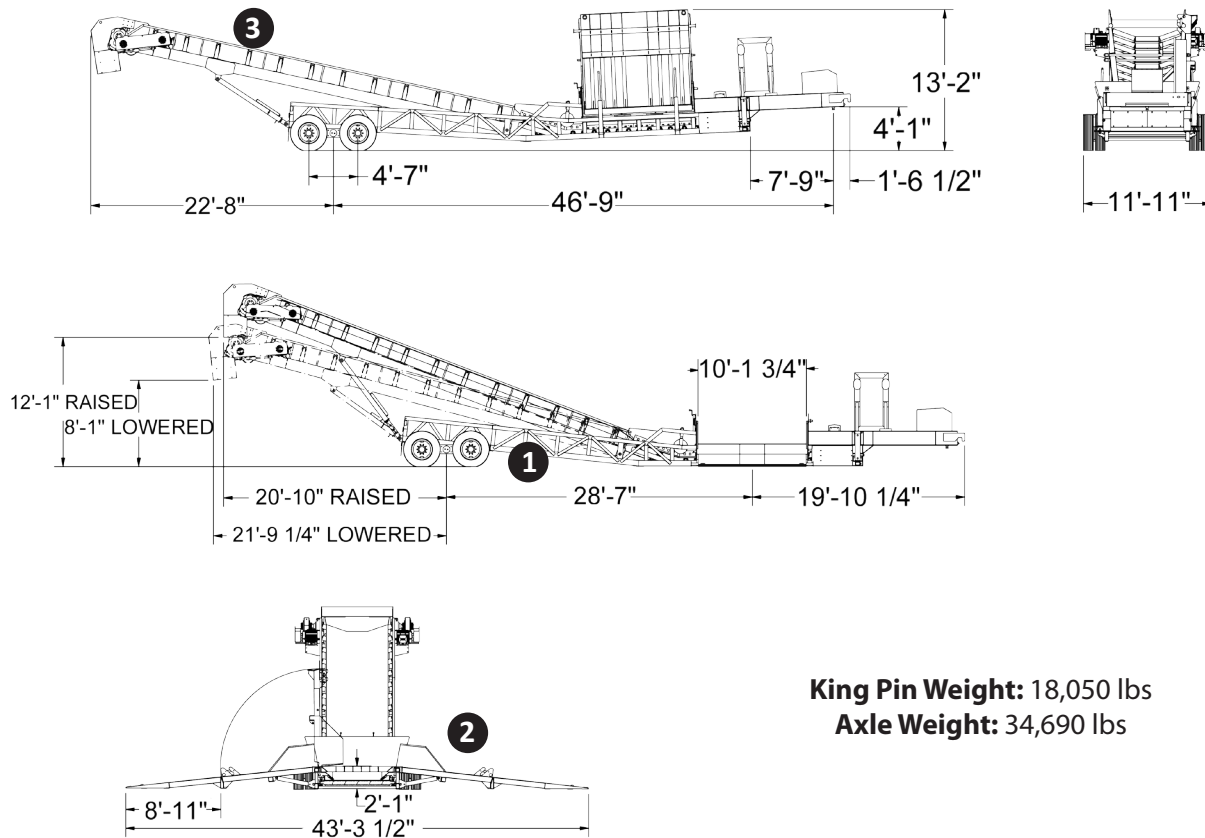
**STRENGTH**  
YOU  
CAN **DEPEND** On!

**MASABA**

1617 317th Street - PO Box 345, Vermillion, South Dakota 57069 USA, [www.masabainc.com](http://www.masabainc.com), 877-627-2220 or 605-624-9555

**BENEFITS OF MASABA**

Masaba Truck Unloaders are the toughest drive-over truck unloaders on the market. Built with a Heavy Duty Steel Tubing Fram (1), Masaba Truck Unloaders will stand up to rough travel conditions. Hydraulic Ramps (2) allow for easy placement in your operation and remove the need for earthen ramps. The 72" Discharge Conveyor (3) comes with an AR Lined Discharge Hood making the Masaba 72" Truck Unloader perfect for feeding a stacker or other equipment in your spread.



**King Pin Weight: 18,050 lbs**  
**Axle Weight: 34,690 lbs**

\*NOTE: Listed weights are not exact. Actual weights will vary based on options\*



Self Cleaning Hydraulic Ramps



72" Discharge Conveyor with Discharge Hood



Ramps Fold for Travel



**MASABAinc.com**  
**1-877-627-2220**  
**info@MASABAinc.com**

REVISION December 2014

NOTE: SPECIFICATIONS ARE SUBJECT TO CHANGE WITHOUT NOTICE: Because MASABA, Inc. may use in its catalog & literature, field photographs of its products which may have been modified by the owners, products furnished by MASABA, Inc. may not necessarily be as illustrated therein. Also continuous design progress makes it necessary that specifications be subject to change without notice. All sales of the products of MASABA, Inc. are subject to the provisions of its standard warranty. MASABA, Inc. does not warrant or represent that its products meet any federal, state, or local statutes, codes, ordinances, rules, standards or other regulations, including OSHA and MSHA, covering safety pollution, electrical, wiring, etc. Compliance with these statutes and regulations is the responsibility of the user and will be dependent upon the area and the use to which the product is put by the user. In some photographs, guards may have been removed for illustrative purposes only. This equipment should not be operated without all guards attached in their normal position. Placement of guards and other safety equipment is often dependent upon the area and the use to which the product is put. A safety study should be made by the user of the application, and, if required, additional guards, warning signs and other safety devices should be installed by the user, wherever appropriate before operating the products.